

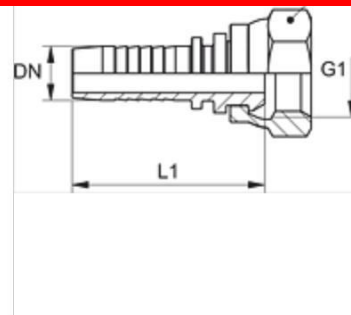
FB INOX BSP

Mamelon à pression, DKR



Caractéristiques

Domaine d'utilisation	Raccord pour tuyaux HD 100 à HD 400, KP, TE
Raccord 1	Filetage femelle BSP
Étanchéité 1	Cône extérieur 60°
Abréviation	FBSP
Norme	ISO 8434-6 BS 5200
Matériau	Acier inoxydable



Remarque

Sélectionner la bague correspondante en fonction du type de tuyau.

Article

Désignation	DN	Dimension	Pouce	Pression de service (bar)	G1	S1
241000202 IN	6	4	1/4"	350,0	G 1/8" -28	14
241000404 IN	6	4	1/4"	400,0	G 1/4" -19	17
241000604 IN	6	4	1/4"	400,0	G 3/8" -19	19
241000508 IN	6	4	1/4"	350,0	G 1/2" -14	27
241000405 IN	8	5	5/16"	400,0	G 1/4" -19	19
241000605 IN	8	5	5/16"	400,0	G 3/8" -19	19
241000607 IN	8	5	5/16"	350,0	G 1/2" -14	27
241000406 IN	10	6	3/8"	400,0	G 1/4" -19	19
241000606 IN	10	6	3/8"	400,0	G 3/8" -19	19
241000806 IN	10	6	3/8"	350,0	G 1/2" -14	27
241000608 IN	12	8	1/2"	350,0	G 3/8" -19	19
241000808 IN	12	8	1/2"	350,0	G 1/2" -14	27
241001008 IN	12	8	1/2"	350,0	G 5/8" -14	27
241001208 IN	12	8	1/2"	315,0	G 3/4" -14	32
241000810 IN	16	10	5/8"	350,0	G 1/2" -14	27
241001010 IN	16	10	5/8"	350,0	G 5/8" -14	27
241001210 IN	16	10	5/8"	250,0	G 3/4" -14	32
241001213 IN	19	12	3/4"	315,0	G 1/2" -14	27
241001212 IN	19	12	3/4"	315,0	G 3/4" -14	32
241001212 IN	19	12	3/4"	250,0	G 1" -11	41
241001220 IN	19	12	3/4"	160,0	G 1 1/4" -11	50
241001620 IN	25	16	1"	250,0	G 3/4" -14	32
241001616 IN	25	16	1"	250,0	G 1" -11	41
241102016 IN	25	16	1"	160,0	G 1 1/4" -11	50
241102020 IN	31	20	1.1/4"	160,0	G 1 1/4" -11	50
241102420 IN	31	20	1.1/4"	125,0	G 1 1/2" -11	55
241102424 IN	38	24	1.1/2"	125,0	G 1 1/2" -11	55
241103324 IN	38	24	1.1/2"	80,0	G 2" -11	70
241103232 IN	51	32	2"	80,0	G 2" -11	70

Gamme de produits

FB Raccord, BSP , Acier Inoxydable